



FOR  
**RENAULT** CLIO IV A/C+/- (09/12 >)



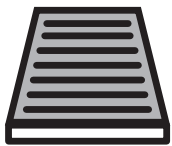
**PROTECT**

combined with  
active carbon

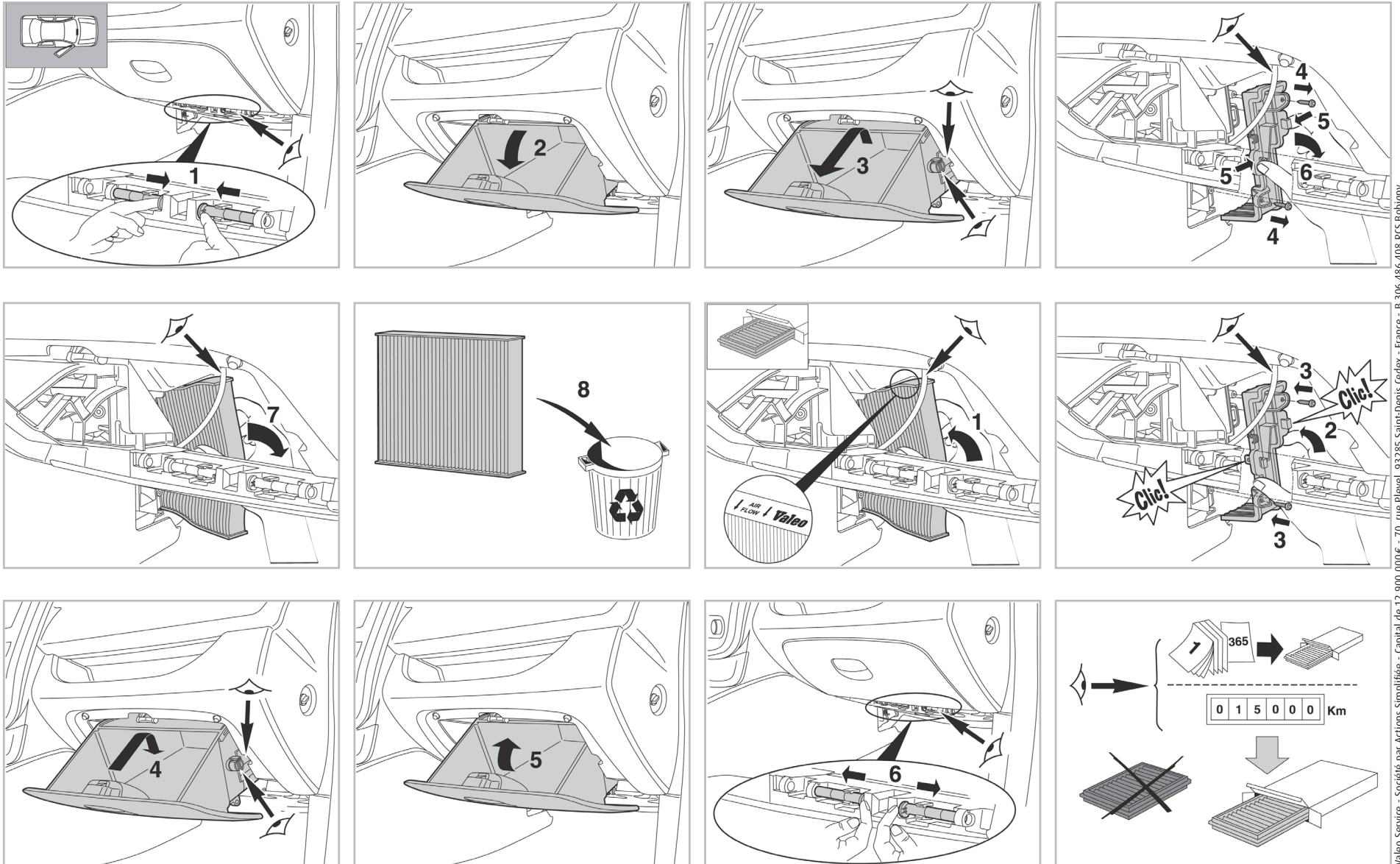


**715725**

FH373



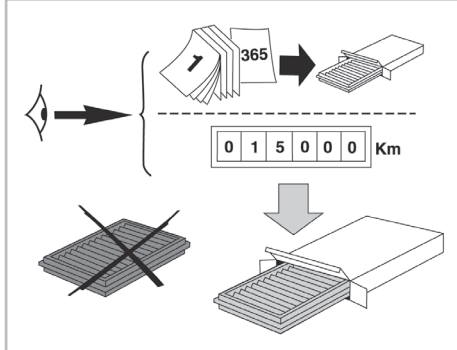
CA



WANT TO  
KNOW MORE?



[www.valeo-techassist.com](http://www.valeo-techassist.com)



Valeo Service - Société par Actions simplifiée - Capital de 12 900 000€ - 70, rue Playel, 93285 Saint-Denis Cedex - France - B 306 486 408 RCS Bobigny



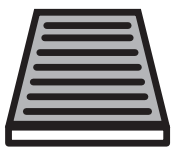
PROTECT

combined with active carbon



715725

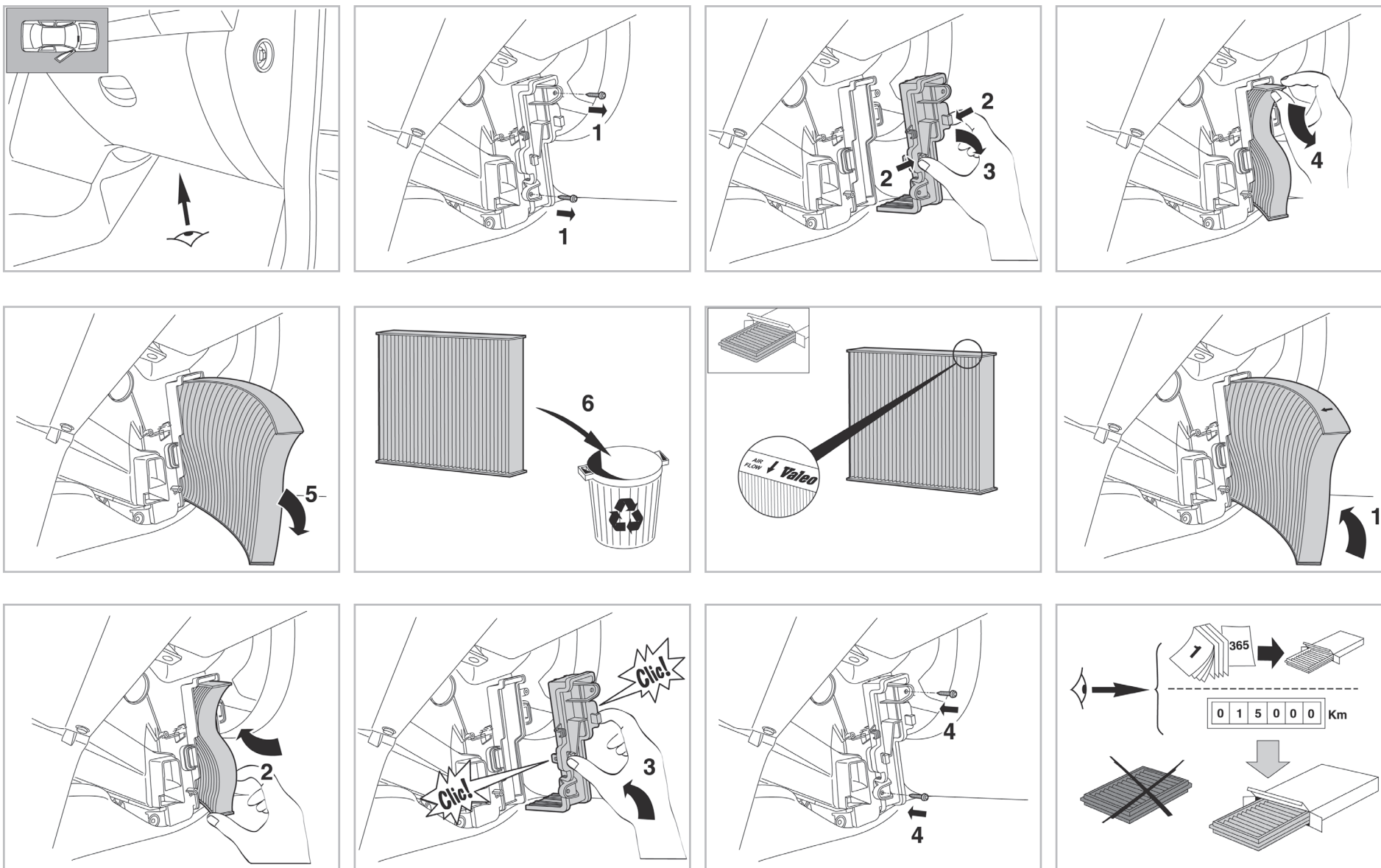
FH373



CA

FOR  
DACIA

LOGAN A/C+/- (01/13 >) / SANDERO 2 A/C+/- (10/12 >)



WANT TO  
KNOW MORE?



www.valeo-techassist.com

Valeo Service - Société par Actions Simplifiée - Capital de 12 900 000 € - 70, rue Pleyel, 93285 Saint-Denis Cedex - France - B 306 486 408 RCS Bobigny